

# Metallized Polypropylene Film Capacitor For Lamps(CBB80)

## SPKF19 (CBB80) Series

### Features

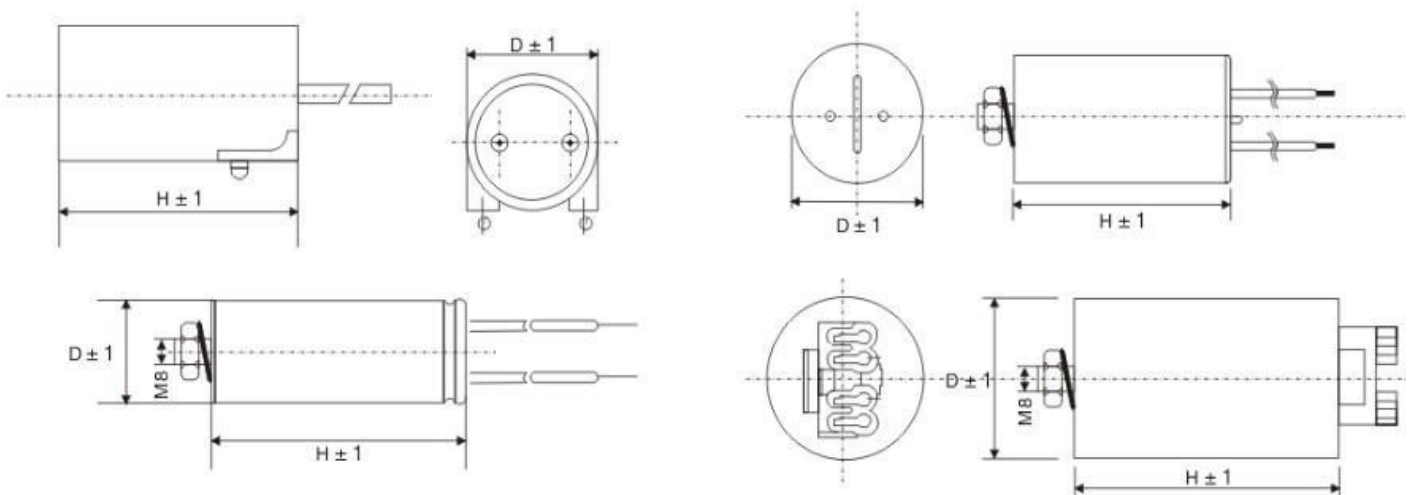
Compensating capacitors are AC capacitors designed for individual correction of the power factor of transformers and magnetic ballasts in discharge lamps (e.g. fluorescent lamps, halogen and metal vapour lamps, high-pressure mercury vapour lamps, sodium lamps) in mains with a frequency of 50 or 60Hz. This allows for an improvement of the luminary's power factor to  $\cos\phi \geq 0.9$ . And applied to high temperature on capacitor surface up to 85° degree .



### Specifications

Operating Temperature	- 25 ° ~ + 70 ° , - 40 ° ~ + 85 °	
Capacitance Range	3uF ~ 60uF	
Capacitance Tolerance:	± 2%, ±5%, ±10%	
Rated Voltage	250VAC~450VAC (50/60Hz)	
Test Voltage	Between Terminals	2U <sub>R</sub> , 5S
	Between terminals to case	2500VAC ( 5S )
Insulation Resistance	Between Terminals	R <sub>j</sub> · C ≥ 3000MΩ·UF
	Between terminals to case	R <sub>j</sub> ≥ 1000MΩ
Climatic Category	25/70/21,40/85/21	
Reference Standard	GB18489,GB/T18504,IEC61048,IEC61049,EN61048,EN61049,UL810	

### Product Structure Drawing



# Metallized Polypropylene Film Capacitor For Lamps(CBB80)

## Dimension for Plastic Case

Capacitance (uF)	Rated Voltage (V)	Frequency(Hz)	Diameter(MM )	Height(MM)	M8(MM)
3-15	250	50/60	30	60	8*10
16-26	250	50/60	30	78	8*10
21-28	250	50/60	30	98	8*10
30-40	250	50/60	35	95	8*10
45-50	250	50/60	40	95	8*10
60	250	50/60	45	95	8*10
			50	110	

## Dimension for Aluminum Case

Capacitance (uF)	Rated Voltage (V)	Frequency(Hz)	Diameter(MM )	Height(MM)	M8(MM)
3-10	250	50/60	30	60	8*10
11-15	250	50/60	30	70	8*10
16-20	250	50/60	34	60	8*10
26	250	50/60	40	70	8*10
28	250	50/60	40	70	8*10
30	250	50/60	40	70	8*10
32	250	50/60	40	70	8*10
35	250	50/60	40	70	8*10
40	250	50/60	50	70	8*10
45	250	50/60	50	70	8*10
50	250	50/60	50	70	8*10
55	250	50/60	50	80	8*10
60	250	50/60	50	80	8*10

Notes: Other values and dimensions available on request.