

Metallized Polypropylene Film Capacitor For AC(CBB60)

SPKF16 (CBB60) Series

Product Characteristics

With a small loss ,anti-moist ,excellent electrical performance ,reliability , large capacity , long life and good selfhealing properties .



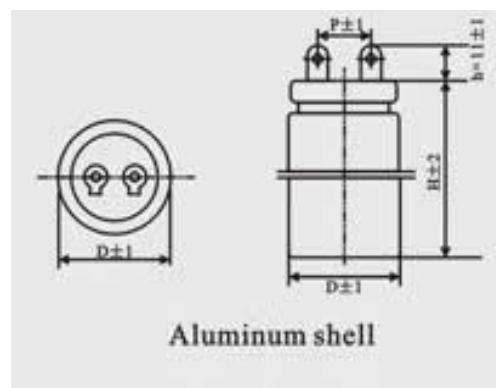
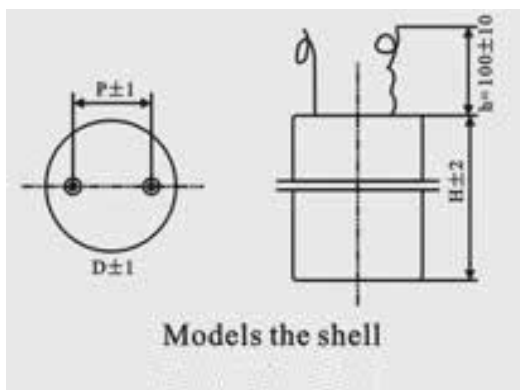
Product Use

This product is suitable for equipment , the instrument and so on electric fan , washer , electric refrigerator , airconditioning alternating current machine start and the revolution .

Specifications

Operating Temperature	- 40 °C ~ + 70 °C
Capacitance Range	2uF ~ 100uF
Capacitance Tolerance:	J (± 5%) , K (±10%)
Rated Voltage	250VAC , 400VAC , 450VAC , 630VAC
Withstand Voltage	AC ≥ 1.75Un 2S (I max ≤ 1.3 I nA)
Withstand & Box Voltage	AC ≥ 2000V 2S (Aluminum case/shell)
Dissipation Factor	≤ 0.004 (1KHz , 20°C)
Insulation Resistance	≥ 3000S
Weather Category	40 / 70 /21

Product Structure Drawing



Metallized Polypropylene Film Capacitor For AC(CBB60)

■ Dimension

Unit : mm

Rated Voltage(V) Capacitance Range(uF)	250 VAC	400 VAC ~ 450 VAC	630 VAC
	D X H		
3	34X50	34X50	34x60
5	34X50	34X50	34x60
6	34X50	34X50	38x70
8	34X50	34x60	38x70
10	34X50	34x60	42x70
12	34X50	38x70	42x70
15	34X60	38x70	42x80
16	34X60	38x70	42x80
20	38X70	42x70	45x90
25	38X70	42x80	45x90
30	42X70	50x100	50x100
35	42X70	50x100	50x120
40	45X90	50x100	50x120
45	45X90	50x100	55x120
50	45X90	50x100	60x120
60	45X90	50x120	60x120
100	50X100		

We will design special size or items as per requested