

Safety Y1,Y2 Ceramic Disc Capacitor

SPKC06 - Y2 Series

■ Introduction

- These Ceramic Disc Capacitors are specifically designed for AC applications and meet the safety requirements of various safety standards agencies.
- These capacitors are ideal for across the line and line by-pass applications.



■ Features

- Ideal for across the line applications
- Compact size
- Cost effective product
- Safety standards recognized for AC applications

■ Specifications

Operating temperature range	-25°C ~ 125°C
Capacitance:	Under 1KHz and 25°C±2°C, Vrms=1.0V conditions, not exceed capacitance tolerance.
Dissipation factor(D.F.)	Max 2.5%
Insulation resistance:	At DC100V voltage for 1 minute, I.R.≥6000MΩ.
Test voltage:	Y2:Ut=5K VDC or Ut=1.5K VAC X1:Ut=4K VDC

■ How to order

Type	Dielectric	Capacitance	Tolerance
Y1	E	102	M
Y1	B (Y5P)	101(100PF)	K(±10%)
Y2	E (Y5U)	102(1000PF)	M(±20%)
	F (Y5V)	222(2200PF)	
		103(10000PF)	

Safety Y1,Y2 Ceramic Disc Capacitor

Capacitance and dimension

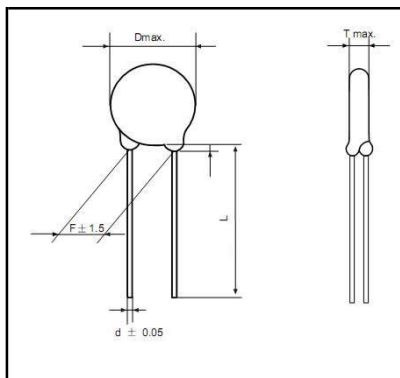
Specification	Rated Voltage	Temperature Characteristic	Cap.Value (pF)	Cap. Tol.	Dimension (mm)			d ± 0.05mm				
					D	F	T					
					±1.0	±0.8	max					
Y2-101K	AC250V	Y5P(B) ±10%	100	K ±10%	6	7.5 or 10	5	0.6				
Y2-151K	AC250V		150		6							
Y2-221K	AC250V		220		6							
Y2-271K	AC250V		270		6							
Y2-331K	AC250V		330		6							
Y2-391K	AC250V		390		7							
Y2-471K	AC250V		470		7							
Y2-561K	AC250V		560		8							
Y2-681K	AC250V		680		8							
Y2-821K	AC250V		820		10							
Y2-102K	AC250V		1000		10							
Y2-102M	AC250V		Y5U(E) +22% -56%		1000				M ±20%	7	7.5 or 10	5
Y2-152M	AC250V				1500					8		
Y2-222M	AC250V	2200		10								
Y2-272M	AC250V	2700		11								
Y2-332M	AC250V	3300		12								
Y2-392M	AC250V	3900		12								
Y2-472M	AC250V	4700		12								
Y2-102M	AC250V	Y5V(F) +22% -82%		1000	M ±20%	6	7.5 or 10			5		
Y2-152M	AC250V		1500	7								
Y2-222M	AC250V		2200	7								
Y2-272M	AC250V		2700	8								
Y2-332M	AC250V		3300	8								
Y2-392M	AC250V		3900	10								
Y2-472M	AC250V		4700	10								
Y2-682M	AC250V		6800	12								
Y2-103M	AC250V		10000	14								
							10					

Remark: Any specification which not show in the above form ,we can have them made to order

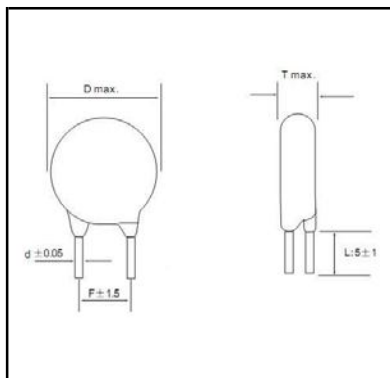


Figure and code of dimension

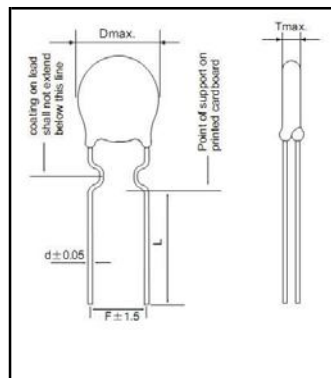
FA



FB



FC



FD

