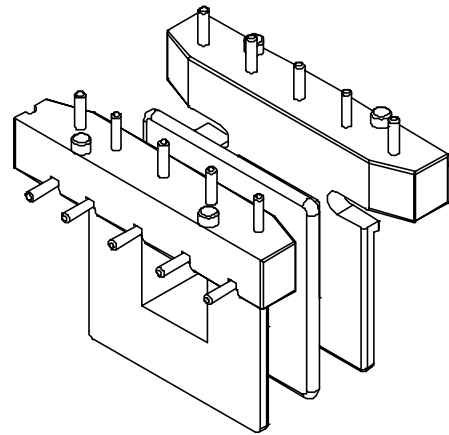
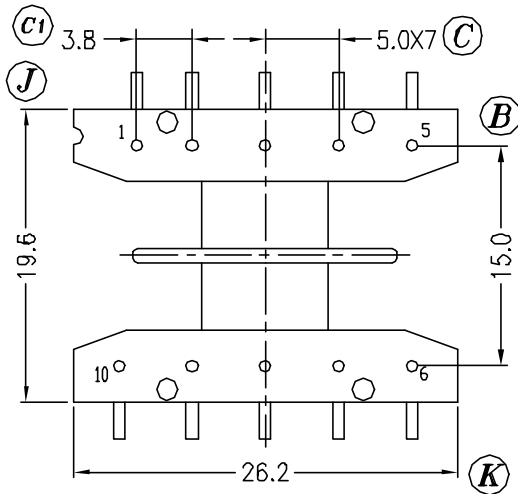
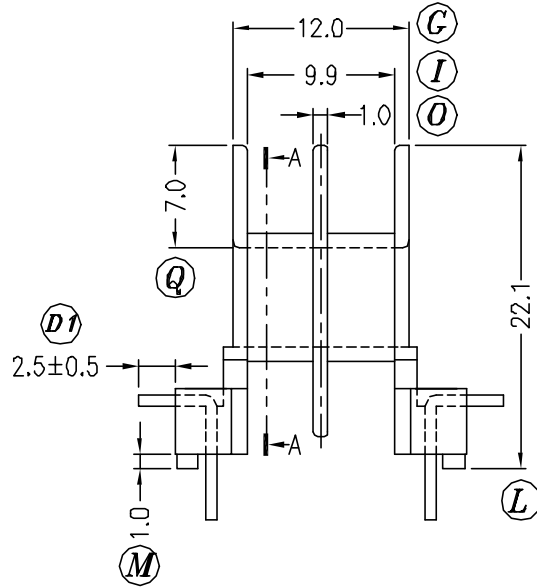
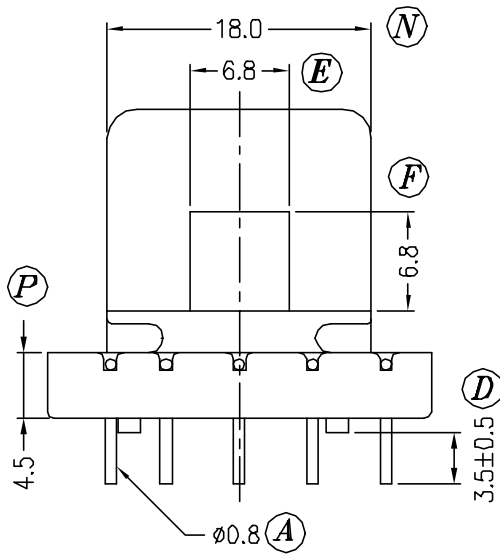
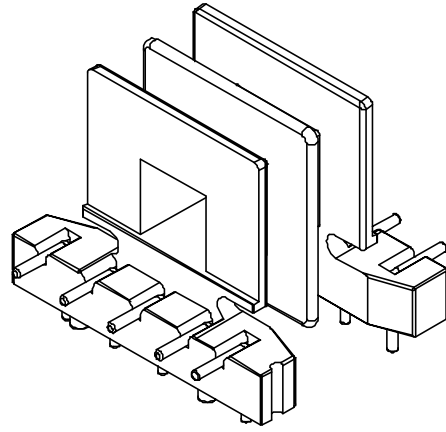


SEC. A-A



REV.	REVISIONS REC.	REV.	REVISIONS REC.
1	(I):10.1→9.9 (G):12.1→12.0 (J):19.8→19.6		

DRAWN & DRAFTED BY	TOLERANCES	ANGLE:	TITLE: BOBBIN EE-25H (2 GROOVES)		
		UNIT:	PBT 4130		UL REC.
CHECKED & APPROVED BY	pin pitch ±0.2	ORIGIN:	CP WIRE		PIN TENSION LOAD:
			DATE:		1.5kg MIN.
			DRAWING NO.	REV.	
			BH-EE25/10/6-2-10RD	1	